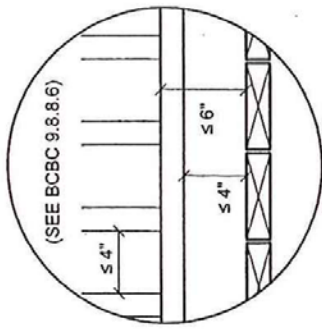
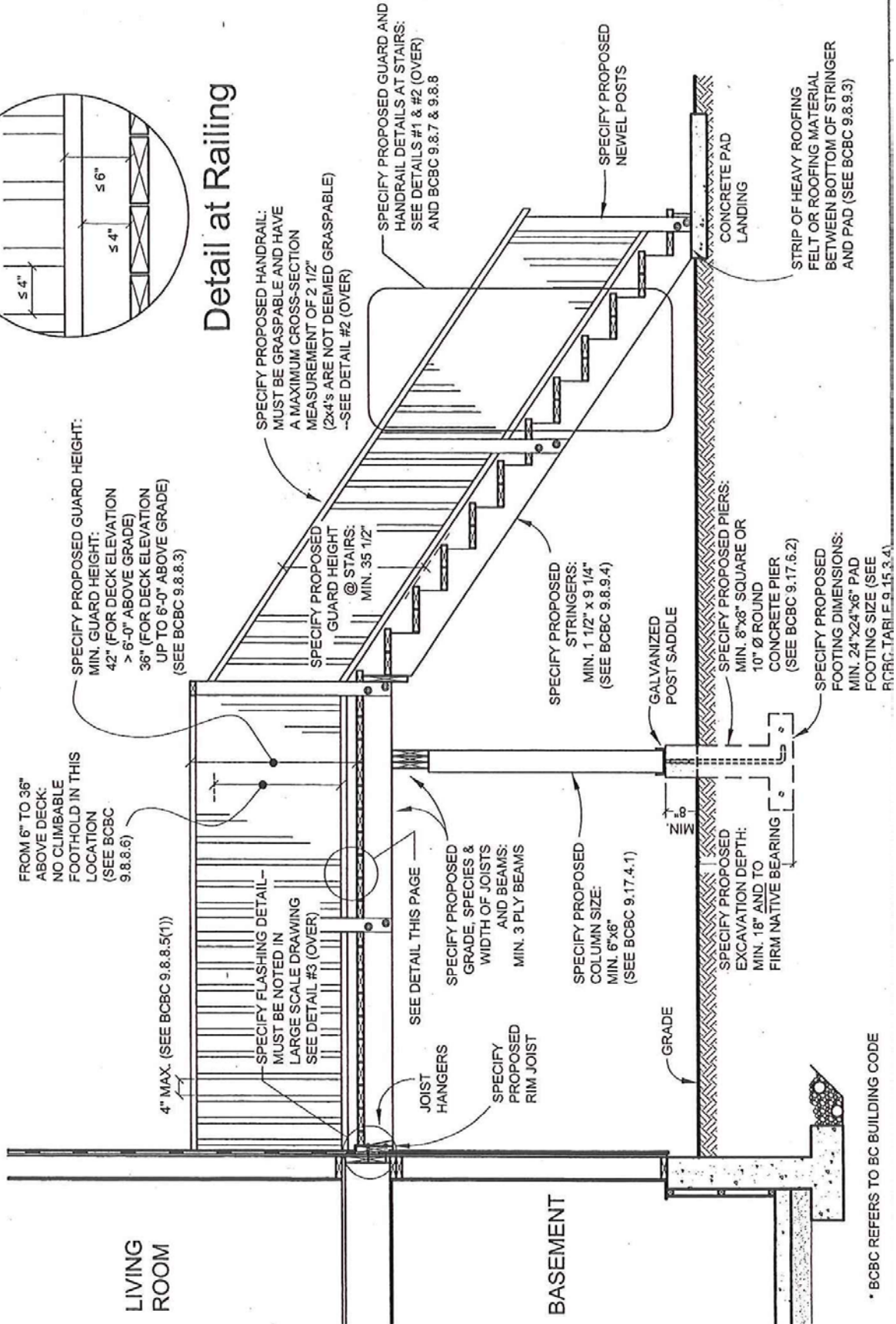


## Sample Residential Deck Design and Plan Requirements (Serving an Existing Single Dwelling Unit)



### Detail at Railing



\* BCBC REFERS TO BC BUILDING CODE

## Sample Residential Deck Design and Plan Requirements

